



Facultatieve Technologies

Cremation & Incineration Equipment

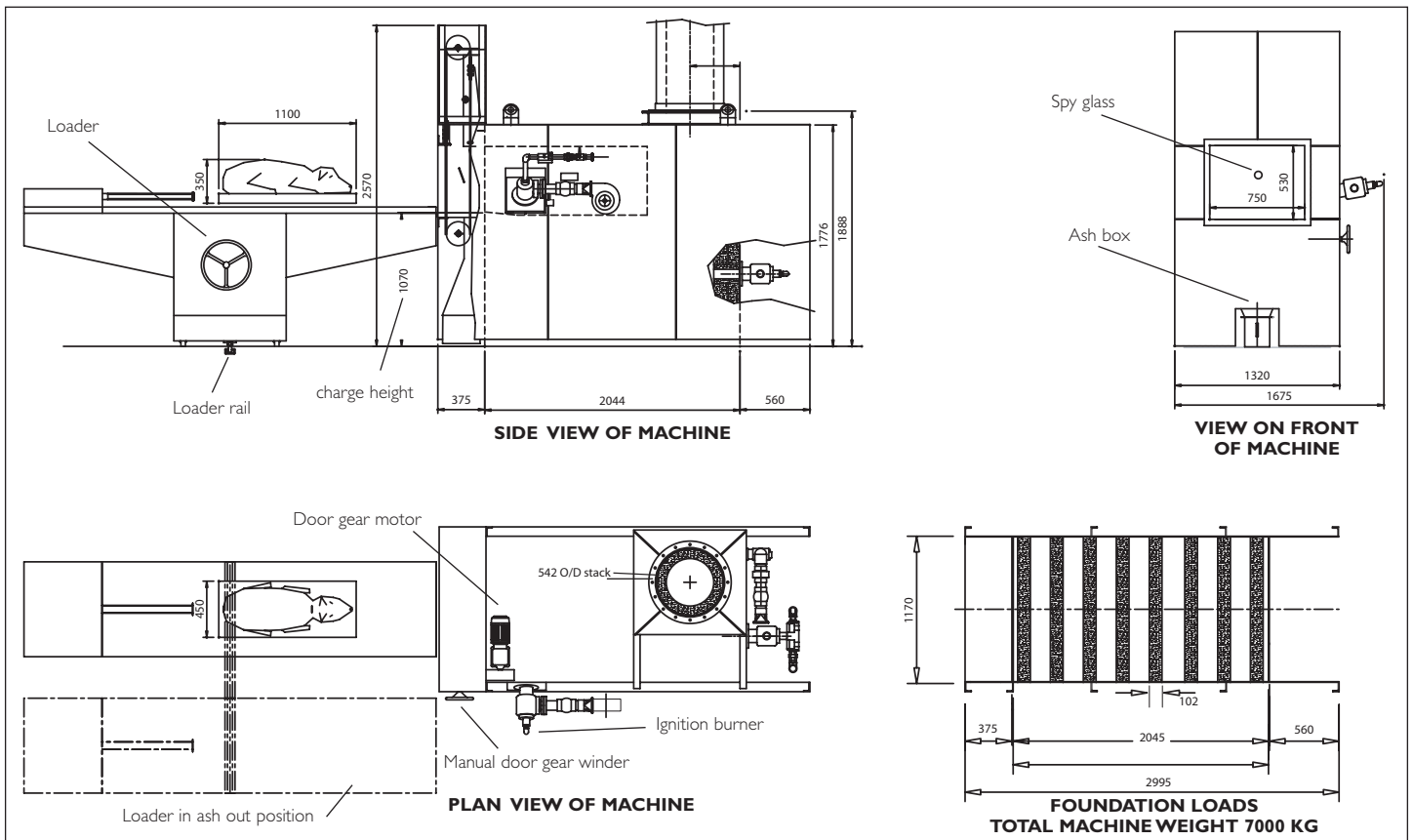
**Technical
Information**

FT 40 – SMALL ANIMAL CREMATOR



- ✓ Compliant with European legislation for < 50 kg/h whole carcass animal incineration EC/1774/2002
 - ✓ Separate 2 second secondary chamber residence time @ 850°C
 - ✓ Accepts small animals easily
– up to 725 mm wide, 1150 mm in length
 - ✓ Fully automatic – PLC based controls
 - ✓ Optional modem link – remote technical support – on line fault diagnostics
 - ✓ Highest quality design – competitively priced
 - ✓ Low maintenance requirements - higher availability
 - ✓ Compact, space saving design
 - ✓ Compatible with FT table loader for respectful ‘coffin style’ loading
 - ✓ Supplied with mild steel pre-finished painted cladding panels
- (Please note model shown displays optional stainless steel panels)

Please refer to technical drawing for further details



FT40 Cremator Specifications

Single End unit	external	primary chamber
Height	2570 mm	550 mm
Width	1320 mm	750 mm
Length	2995 mm	1300 mm
Opening for installation	1900 mm wide x 2100 mm high	

Typical Fuel Consumption	
Burner ratings	
Primary Burner	120 kW
Secondary Burner	120 kW

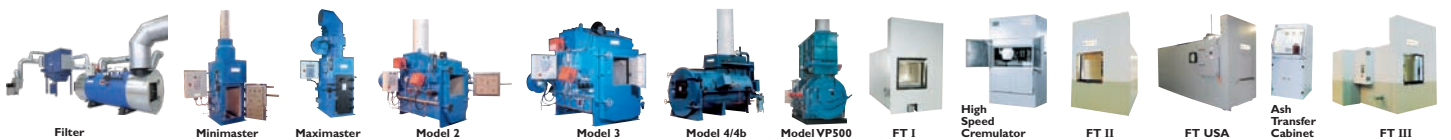
Weight 7000 kg

Nat Gas usage	5 m ³ / cremation*
LPG Gas usage	2 m ³ / cremation*
Diesel usage	5 litres / cremation*
(excludes pre-heating of cremator)	
* - Typical figures for average sized animal	

Fuel Natural gas / LPG / Diesel Oil

Electrical Characteristics

Comb Air Fan	200 m ³ /h at 20°C 0.5 kW
Ejector Air fan	600 m ³ /h at 20°C 2.2kW
Controls	1.5 kW
Electrical Supply	20 Amps (motor rated) 3 phase x 400 V+neutral+earth 50 Hz (others available on request)



www.facultatieve-technologies.com